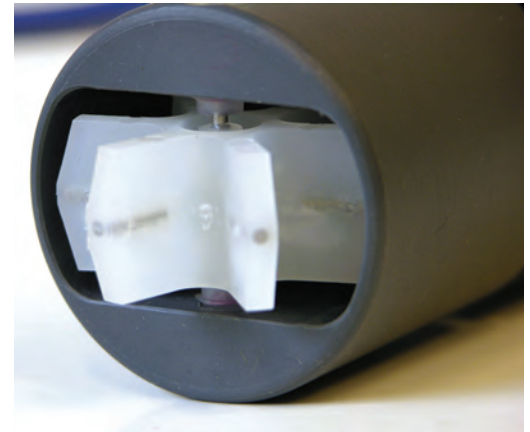


Paddlewheel Insertion Flowmeters



WFP Series

The WFP Series flowmeters are impeller-type insertion meters designed for use in pipe sizes of 1/2" to 6". High quality jewel bearings and nickel-bound tungsten carbide shaft are used. Bodies are machined from solid rod for maximum precision. Low flow performance is superior. The rotation of the rotor is detected by a non-drag Hall-effect sensor. Output is a pulse-type square wave, which can be sent up to 2000 feet (610 meters) without a transmitter.



The WFP require special fittings, since they are not depth-adjustable. Installation in the fitting ensures correct depth placement in the pipe for accurate readings. Each fitting is individually calibrated and marked with the K-factor (pulses per gallon) produced during the factory flow test. Test fittings and flowmeters are available in PVC.

WFP Series flowmeters are perfect for chemical proportioning applications, and readily interface with the WebMaster® series controllers. They are especially cost effective for use in pipe sizes greater than 2".

SPECIFICATIONS

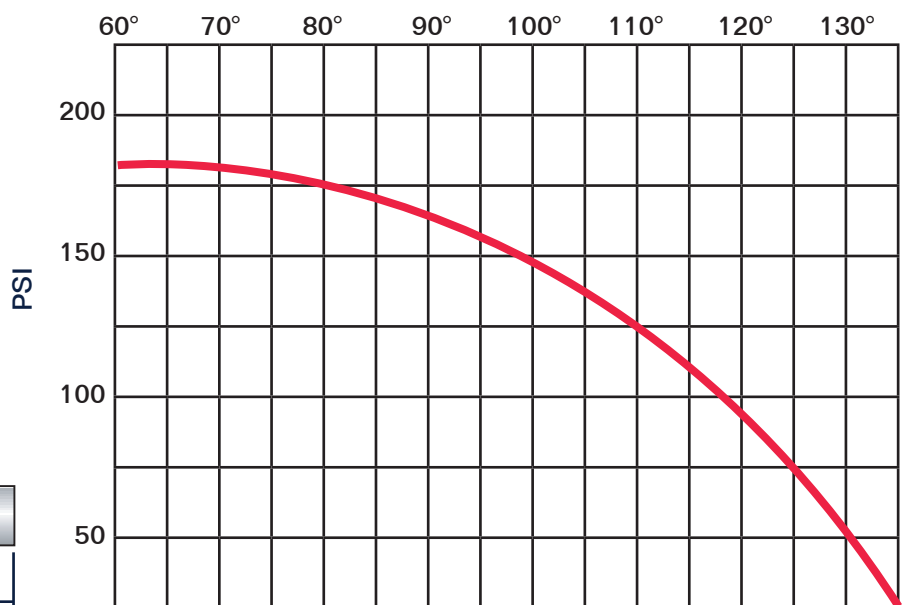
Fitting Length

Size	Dimension A
1/2"	14 1/2"
3/4"	18 1/2"
1"	18 1/2"
1 1/2"	20"
2"	20"
3"	*
4"	*
6"	*

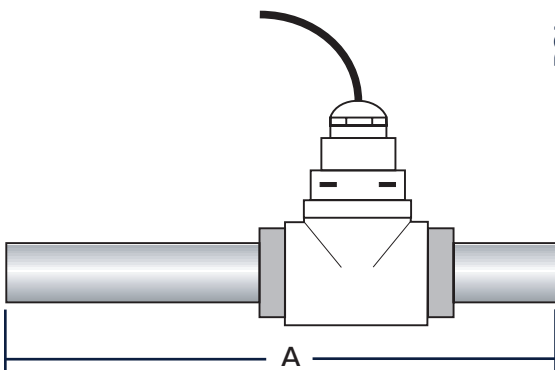
Flow Range (gallons per minute)

	1/2"	3/4"	1"	1.5"	2"	3"	4"	6"
PART#	WFP050	WFP075	WFP100	WFP150	WFP200	WFP300	WFP400	WFP600
MIN	0.28	0.5	0.8	1.9	3.1	6.9	12	27
MAX	28	50	80	190	314	691	1200	2700

PVC Working Pressure vs. Temperature °F



* Requires saddle



Temperature

WALCHEM

IWAKI America Inc.

Specifications

Sensor

Hall Effect Sensor 12 VDC current sinking pulse

Materials of Construction

Sensor Body PVC
Rotor PVDF
Shaft Nickel-based tungsten carbide
Bearings Ruby jewels

Maximum Pressure (PVC)

175 psi at 75°F (24°C) Refer to chart below.

Maximum Temperature (PVC)

130°F (55°C)

Cable

22 AWG, 3 conductor 18 ft. (5.5 m)

Maximum Cable Length

2000 ft. (610 m)



WebmasterONE®

WebMasterONE® is the most powerful online cooling tower/boiler controllers in the water treatment industry. WebMasterONE® couples a multi-I/O platform with Walchem's analytical sensors and extensive communications technologies. The result is the ability to remotely monitor and control your process from any computer, anywhere in the world, with just a standard web browser.



Metering Pumps

Iwaki metering pumps are designed for a broad range of applications, and are manufactured to the highest quality standards that exceed even the toughest customer expectations. Our commitment to new product development and innovation has resulted in many industry firsts, including EK - the world's first IP67 waterproof solenoid metering pump.



WIND WebMaster Industrial Water Controllers

Walchem's WebMaster® Industrial (WIND) Controller sets a new standard for Industrial Water Treatment Controllers. WIND has a flexible multi-I/O platform, a wide range of analytical sensor measurement capabilities, and an extensive assortment of integrated communications and data handling features.



WebAlert Remote Monitor

Walchem's WebAlert is the first stand alone remote monitoring device that can web enable your installed equipment without having to replace or upgrade it.



ABOUT US

Walchem integrates its advanced sensing, instrumentation, fluid pumping and communications technologies to deliver reliable and innovative solutions to the global water treatment market. Our in-house engineering is driven by quality, technology and innovation. For more information on the entire Walchem product line, visit: www.walchem.com.